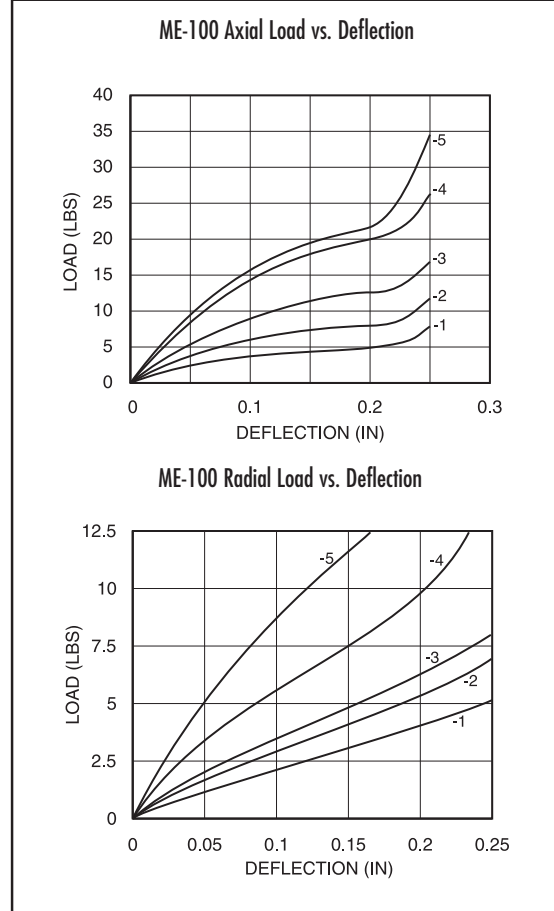
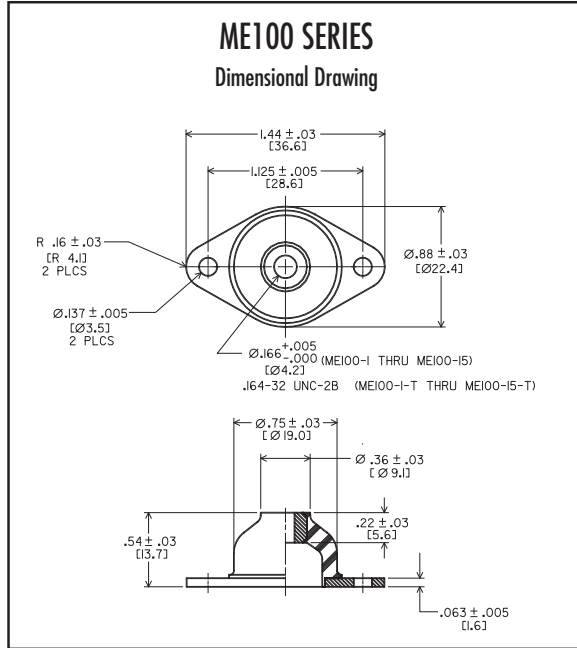


ME100 MOUNT SERIES:

Dimensions & Load Range Specifications



ME100 SERIES LOAD RATINGS				
Part #	Maximum Load (lbs.)		Axial Natural Frequency	Color Code
	Axial Compression	Radial		
ME100-1	2.50	1.40	14 Hz	Blue
ME100-2	3.75	1.90	14 Hz	Red
ME100-3	4.25	2.75	16 Hz	Green
ME100-4	6.50	3.75	16 Hz	Yellow
ME100-5	10.00	6.25	16 Hz	White